

NBD

Brushless
nearby
drives

• NBD

Drive IP65 for linear and rotating brushless motors
Azionamento IP65 per motori brushless lineari e rotativi



HARDWARE FEATURES

Power supply

Nominal 560Vdc (min 275Vdc max 730Vdc)

Control supply

24Vdc

Rated current

8 Arms - 10 Arms

Peak current

15 Arms - 21Arms

Feedback

Resolver

TTL incremental encoder + HES

Single and multiturn absolute encoder HIPERFACE

On board I/O's

3 digital IN PNP 24V

2 digital OUT PNP 24V

2 digital IN/OUT bidirectional PNP

1 analog IN +/- 10V

Encoder master IN, + 5V out

Interface

EtherCAT, CANopen

Safety

STO 2 channels, SIL3

Protection

IP65

Certifications: CE



CANopen®

EtherCAT®

FUNCTIONAL FEATURES

Stand alone programmability

according to the standard IEC61131,

Integrated movement features:

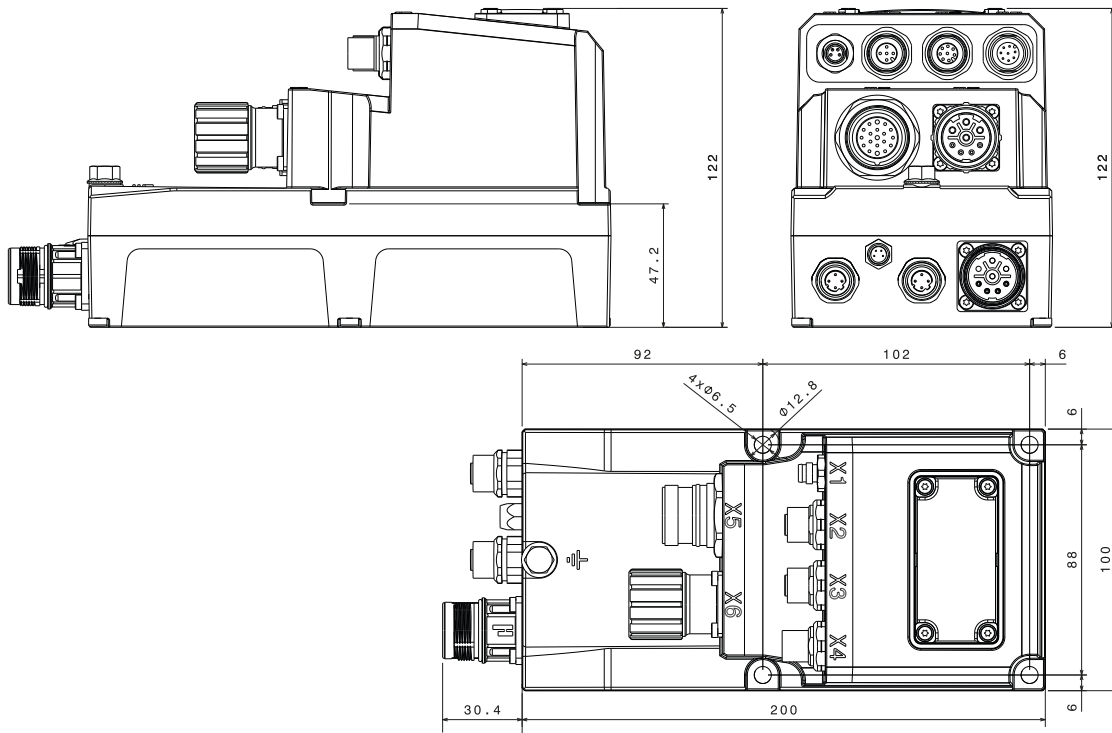
device profile DS402, interpolated mode,
positioning, extended gearing function,
homing, capture

ST language

Capture input

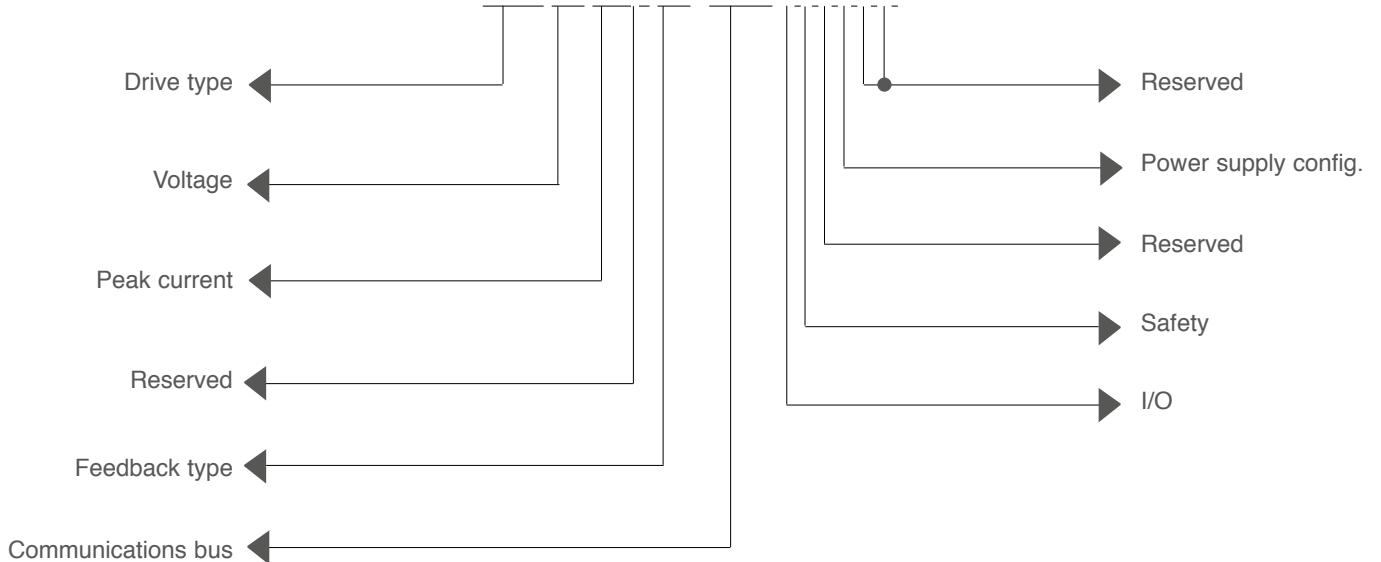
PC parametrization tool

• OVERALL DIMENSIONS



• ORDER CODE EXAMPLE

NBD56M50F0/CAN.F00000



NBD

Ordering codes

• ORDERING CODES

Ordering codes with optionals:				NBD56abc/d.efghil							
Options	NBD	56	a	b	c	/d	.e	f	g	h	il
a	Peak current 15A 21A		M5 H5								
b	Reserved			0							
c	TTL incremental encoder + HES				F0						
	Multiturn absolute encoder HIPERFACE										
	Single absolute encoder HIPERFACE										
	Resolver										
d	CAN communication					CAN					
	EtherCAT communication					ETC					
e	No I/O						0				
	With I/O (3 conn M12) and local STO (1 conn. M8)						F				
f	Safety							0 STO			
g	Reserved								0		
h	Power supply configuration									0 star (single on M23)	
il	Reserved										0 0

• CABLES FOR NBD

Straight connectors - xxxx = cm

Type -	Description
CIBR.CFCG.IIPS.B.xxxx	Power cable for NBD - dynamic laying
CMUL.CMCP.IIPS.E.xxxx	I/O cable for NBD - fixed laying
CCAN.DFCS.CF1S.E.xxxx	CAN cable from CMZ master FCT200 (Dsub 9p) to NBD (M12)
CCAN.CM1S.CF1S.E.xxxx	CAN cable from NBD (M12) to NBD (M12) - dynamic laying
CETC.RMCS.CMCS.M.xxxx	EtherCAT cable from CMZ master FCT640/ FCT300 (RJ45) to NBD (M12) - dynamic installation
CETC.CMCS.CMCS.M.xxxx	EtherCAT cable from NBD (M12) to NBD (M12) - dynamic installation
C232.DFCS.CMCG.K.xxxx	Serial RS232 interface cable for debugging



CMZ engineers and manufactures electronic systems for industrial motion control.

The company targets to OEMs and systems integrators for the co-development of automatic machines featuring a deep level of customization in multi axis motion. The result: high performing machines with unique, special features.

Established in 1976 focusing on controllers, today CMZ offers a complete portfolio of solutions including the systems design, the electronics programming, the development of ready-to-use application libraries and ad-hoc softwares, alongside a wide selection of master controllers IEC61131 up to 99 axis, integrated and stand-alone drives, brushless and stepper motors up to 120 Nm strictly compact and Made in Italy, peripherals and I/O modules both digital and analogic, integrated vision systems based on machine learning technology, HMI operator panels.

CMZ's high technological and safety standing is based on its team of 70 technicians and engineers. The systems realized to date in its plant count over 125,000 units.

CMZ is part of SOGA ENERGY TEAM industrial group operating in power generation, motion and control since 1966.

CMZ sviluppa e realizza sistemi elettronici e soluzioni per il motion control industriale.

L'azienda si rivolge a OEMs e system integrators per la co-progettazione di macchine automatiche dotate di funzionalità personalizzate e speciali nella movimentazione degli assi. Il risultato: macchine ad alta performance e dalle caratteristiche uniche.

Fondata nel 1976 con focus sui controllori, oggi CMZ offre un portfolio integrale di soluzioni che include la progettazione dei sistemi, la programmazione dell'elettronica, lo sviluppo di librerie applicative ready-to-use e pacchetti software ad-hoc, affiancati a un'ampia scelta di controllori IEC 61131 programmabili fino a 99 assi, azionamenti integrati e stand-alone, motori brushless e passo-passo fino a 120 Nm rigorosamente compatti e Made in Italy, periferiche e moduli I/O digitali e analogici, sistemi di visione integrata con tecnologia machine learning, pannelli operatore HMI.

L'elevato standing tecnologico e di sicurezza di CMZ si basa su un team di 70 tecnici e ingegneri. I sistemi realizzati fino ad oggi nel sito produttivo dell'azienda sono oltre 125.000. CMZ fa parte del gruppo industriale SOGA ENERGY TEAM, attivo dal 1966 a livello internazionale nei settori power generation, motion e control.

